



AZEK Decking as Cladding Install Guide

Tools Required	2
Installation Preparation	3
Expansion and Contraction	4
Fasteners	5
Furring Strips and First Course	6
Fasten Board and Spacing	7
Butt Joints, Adjoining Walls, Windows & Doors	8
Storage & Handling, Considerations	9
Care and Maintenance	10
Notes	11

AZEK[®] Deck used as cladding should be installed using good building principals and in accordance with local building codes and the installation guidelines included below. AZEK Building Products Inc. accepts no liability or responsibility for the improper installation of this product. AZEK Products used as cladding may not be suitable for every application and it is the sole responsibility of the installer to be sure that AZEK Products are fit for the intended use. Since all installations are unique, it is also the installer's responsibility to determine specific requirements for each application. AZEK Building Products recommends that all applications be reviewed by a licensed architect, engineer or local building official before installation. If you have any questions or need further assistance, please call AZEK Customer Service at 1-877-ASK-AZEK, (877) 275-2935 or visit our website at www.azek.com.

Tools Required

AZEK Deck as cladding can be installed with a minimum number of readily available tools. Many other tools are available that can be used for installation. All tools should be used per applicable manufacturers' instructions. Some of the basic tool requirements:

- Cordless Driver
- Chalk Line
- Tape Measure
- Jig Saw
- Level
- Carpenter Square
- Spacing Tools
- Miter Saw
- Chalk Line/String
- Safety Glasses

Use the jigsaw to cut around obstruction. For best results a miter saw with a fine-toothed, carbide-tipped finish trim blade (12"-60 tooth minimum) works well for cutting. For a power miter or compound power miter saw a fine finish alternate top bevel blade is also recommended. When working with AZEK products be sure to wear proper clothing and safety equipment. Safety glasses should be used during the entire installation process. Do not use any cordless saws.



Extreme Heat Warning

Be aware of excessive heat on the surface of AZEK products from external sources, such as but not limited to, fire or reflection of sunlight from energy-efficient window products. Low-emissivity (Low-E) glass can potentially harm AZEK products. Low-E glass is designed to prevent passive heat gain within a structure and can cause unusual heat build-up on exterior surfaces. This extreme elevation of surface temperatures, which exceeds that of normal exposure, can possibly cause AZEK products to melt, sag, warp, discolor, increase expansion/contraction, and accelerate weathering.

Current or potential AZEK customers that have concerns about possible damage by Low-E glass should contact the manufacturer of the product which contains Low-E glass for a solution to reduce or eliminate the effects of reflected sunlight.



Non Load Bearing Only

AZEK Deck used as cladding must not be used in load bearing applications.



Important

Outside wall of structure must be weather tight and water proof prior to installing AZEK Deck used as cladding. AZEK Deck used as cladding is not designed to prevent water infiltration. It is the responsibility of the engineer, architect, and installer to ensure the design and installation of the wall and building are weather tight and code compliant behind the AZEK Deck products.



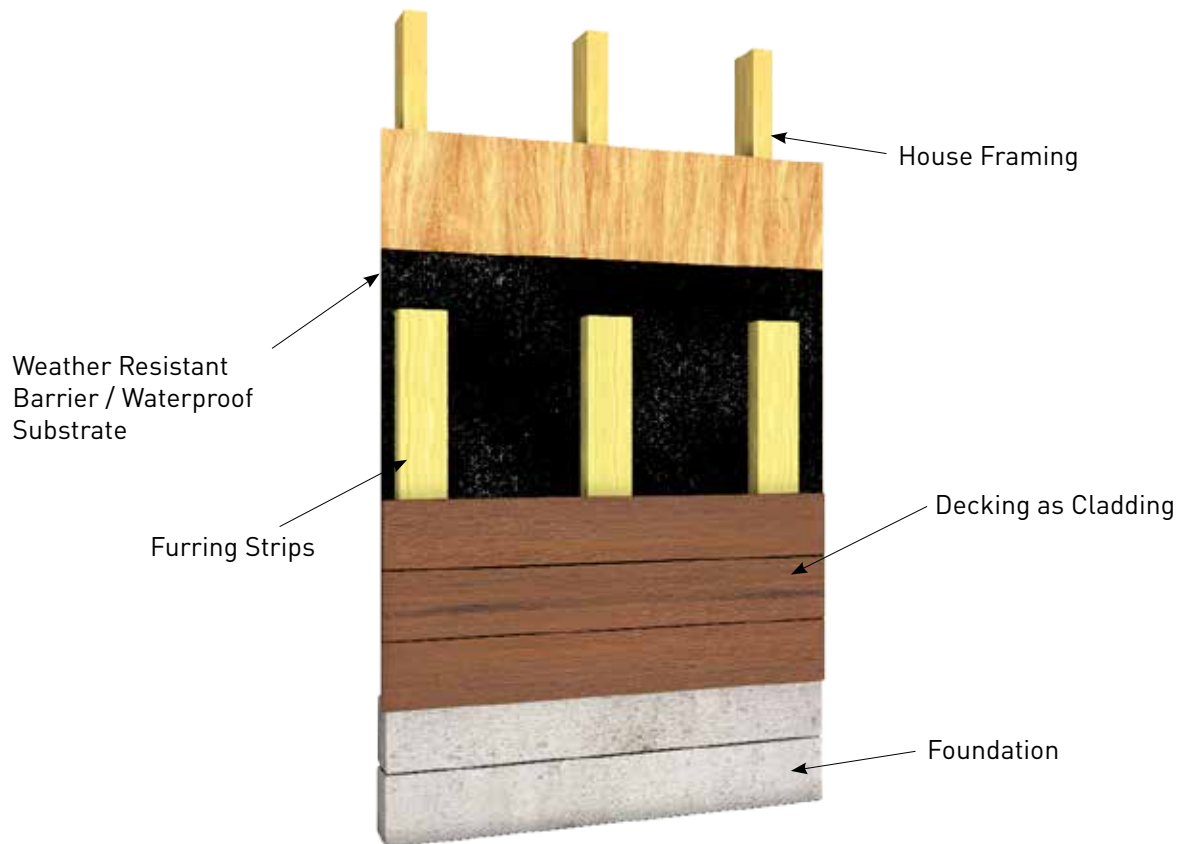
Install Guide for Residential Applications Only

This Installation Guide is intended solely for the purpose of providing guidance in installing AZEK Deck as cladding in single family applications where it is deemed suitable by the installer, architect, engineer or local building code official, and meets all local building codes. It does not purport to provide guidance for installing AZEK deck as cladding in multi-family or commercial applications.

Installation Preparation

Follow these guidelines for best vertical installation:

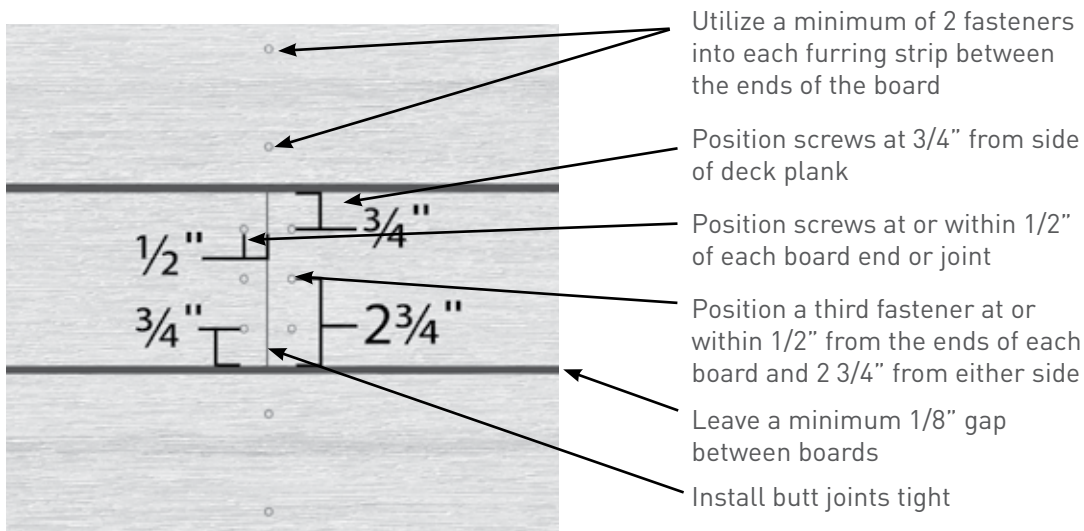
- AZEK Deck is a one-sided product and must be installed with the grain side out.
- Prior to installation, be sure that wall is structurally sound, weather tight, stud locations are identified and marked, and that there are no nails or screws protruding.
- Ensure that wall and substructure is flat, as the boards will conform to the surface contour of the wall.
- Spacing of wall studs/supports, furring strips should not exceed 16" on center.



Expansion and Contraction

AZEK Deck used as cladding will have expansion and contraction with changes in temperature, unlike wood whose size will fluctuate with moisture changes. The expansion and contraction encountered may result in slight gaps, which might be noticed at the ends of boards or in splice joints. Fastening the deck boards according to the Installation Guidelines will help minimize expansion and contraction.

- Expansion/contraction is most significant where extreme temperature change may exist.
- Best practice is to cut and fasten the deck boards as soon after cutting as possible.
- Install the boards together tightly at splices or miters and provide 1/8" gap between boards to allow for air circulation.
- Fasten the ends of boards, splices, or abutments to the building or structure securely into furring strips using 3 screws. Position 2 screws at or within 1/2" of each board end or joint and 3/4" from each side of the board. The third fasteners will be positioned at or within 1/2" of the end of each board and 2 3/4" from either edge.
- Fasten the boards to the building or structure securely into all middle furring strips using a minimum of 2 fasteners. Position them 3/4" from the sides of the deck plank.



- For best results, and to minimize gapping, use deck boards of 16' in length or less.
- Leave minimum of 1/8" gap around all protrusions, boxes, or fixtures. Provide radius corners on notches or cutouts around protrusions, boxes, or fixtures when possible.

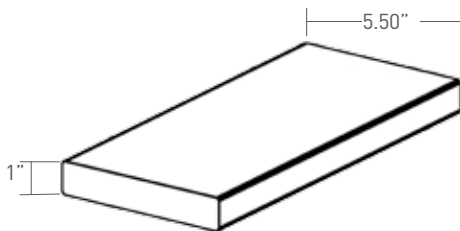
Fasteners

- 2 1/2" and 2" Cortex[®] hidden fasteners for Vintage, Harvest and Arbor are available (use 2" when installing into 2x4 pressure treated furring strips over a masonry wall)
- Due to the durability of AZEK deck boards, a high-quality fastener is recommended that meets the following specifications:
 - Stainless Steel
 - Minimum screw size 2 1/2", 9 threads per inch, trim head screw with minimum head diameter of 1/4".
 - Length sufficient to provide minimum embedment of 1 - 1/4" into 2x4 pressure treated furring.
 - Available in color match.
- Be sure to install 3 fasteners at or within 1/2" of the ends of each board.
- Install 2 fasteners per 2x4 furring member (16" on center maximum) for those not falling on the ends of the boards).
- For salt water coastal applications, we suggest using the above minimum fastener requirements in 316 stainless steel.
- AZEK does not recommend any fastener that is not explicitly stated in this installation guide. Use of any alternative fastener does not void the AZEK warranty; however, if a decking failure is caused by using one of these alternative fastening methods, any corresponding claims will be denied.
- Many fasteners have either not been tested, or directly affect the performance of AZEK products. As such, AZEK is not comfortable recommending them.

Products

AZEK Square Shouldered Deck Boards Only

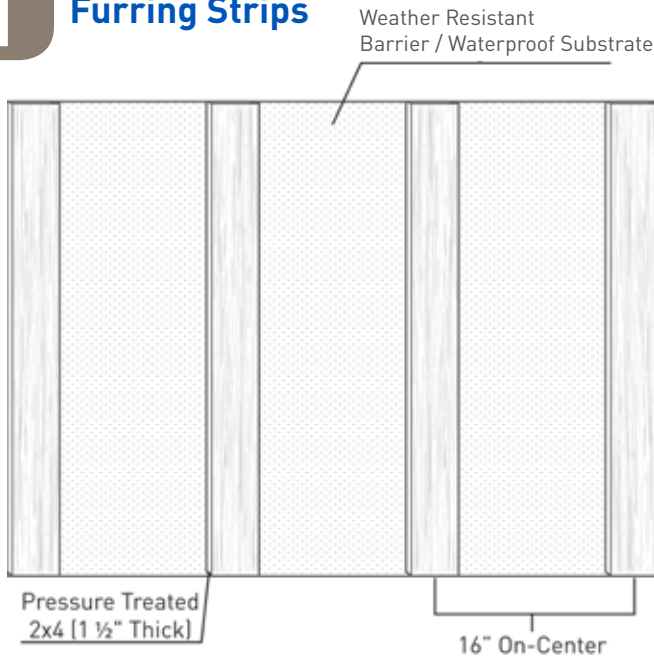
(Grooved Boards Not Recommended)



AZEK: Harvest, Arbor, & Vintage

DECK PRODUCTS	SQUARE SHOULDERED LENGTHS		
	12'	16'	20'
All Deck Boards 1" x 5 1/2"			
HARVEST COLLECTION Kona	★	★	★
HARVEST COLLECTION Brownstone, Slate Gray	★	★	★
HARVEST COLLECTION Island Oak, Autumn Chestnut		★	★
ARBOR COLLECTION Silver Oak, Hazelwood, Acacia, Morado, Brazilian Walnut, Mountain Redwood		★	★
VINTAGE COLLECTION Dark Hickory, Cypress, Mahogany		★	★

1 Furring Strips



- Attach pressure treated 2x4 furring members to weather tight wall or building structure at maximum spacing of 16" center to center.
- Attach the 2x4 furring so that the wide face of the board is flat against the wall (see center photo at left).
- For wood framing- attach furring securely into wall studs using suitable fasteners.
- For masonry construction- attach pressure treated 2x4 furring securely to masonry wall with suitable masonry fasteners.



Important

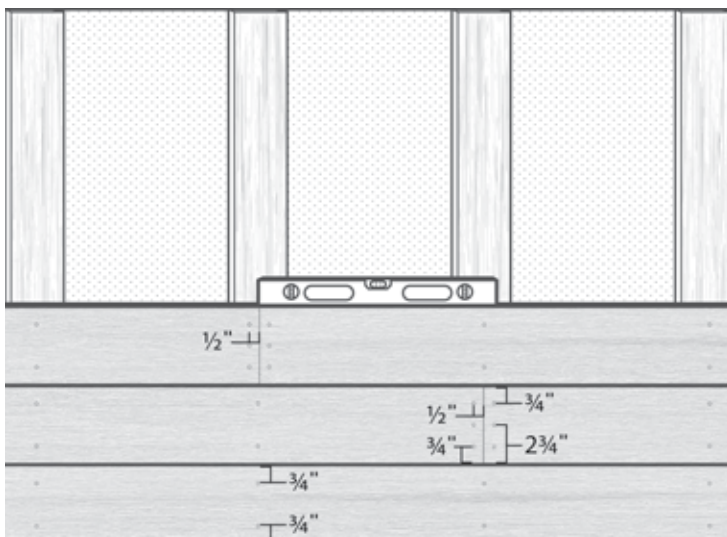
The wall or furring members may move over time due to conditions such as age, settling of the ground, expansion and contraction due to moisture or temperature.



Important

After furring members are installed, run string line to ensure that the faces of the furring members are in plane, as AZEK Deck used as cladding will conform to the contour of the furring members or wall to which it is attached. It may be necessary to shim or plane furring members due to thickness variations in lumber, or variations in the wall to which the furring is attached.

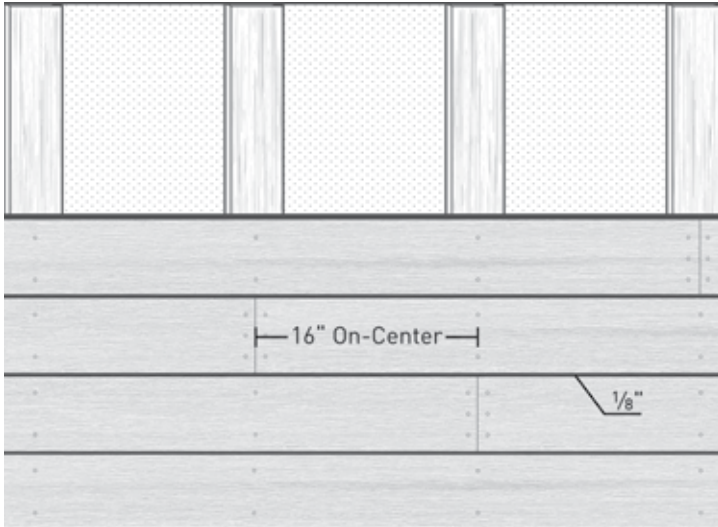
2 Starting Course & Fastening



- Determine location of starting course, check and confirm level and prepare to attach to a furring member near center of the first board length.
- Install 3 screws at the ends of each board at or within 1/2" from the end of the board. Position 2 fasteners 3/4" from either edge, and 1 fastener in the middle at 2 3/4" from the edge.
- Drive screws using length sufficient to penetrate minimum of 1-1/4" into furring member.
- Install 2 screws at each furring member 3/4" from the edges of the board when it is not the end of the board.
- Always attach firmly into furring member.
- Frequently check for level.

3

Spacing of Boards



- In order to facilitate air circulation, provide a minimum 1/8" gap between boards.
- Spacers can be pre-fab deck spacers, metal strips, smooth nails, or any material of proper thickness that can be easily removed.
- Stagger all butt joints accordingly to ensure that joints do not fall on one single furring member.
- Center all butt joints over 2x4 furring members.

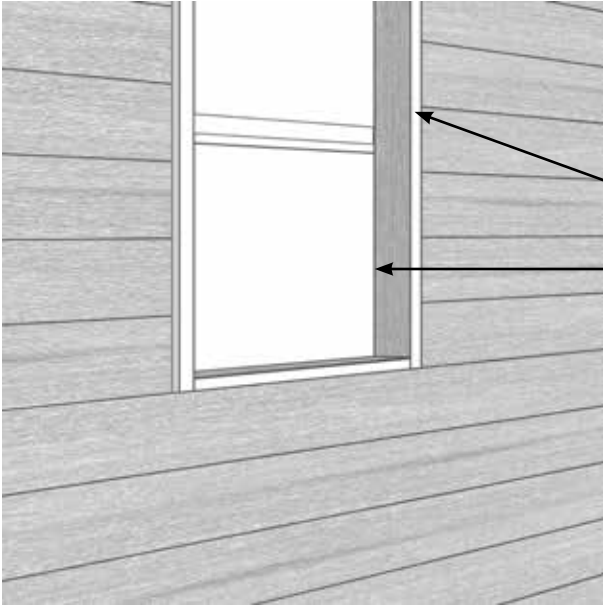
4

Adjoining Walls



- When applying to adjoining walls, be sure to check level of courses frequently.
- Miter cutting of boards is one method that can be used for corners.
- Vertical outside corners may also be constructed using AZEK Deck, AZEK Trim or AZEK Cornerboards.
- Additional furring may be needed at corners or around wall openings such as doors or windows.

5 Trimming Windows & Doors



- AZEK Deck or Trim may also be used as a conventional “mitered corner” type casing around windows or doors.
 - Example shown at left using decking which has been rip cut to width as a window or door box type of casing. The factory edge is installed facing outward and rip cut edge toward interior of building (not exposed).
- Factory Edge Facing Outwards
- Rip Cut Edge Facing Inwards

Storage & Handling

- Store AZEK Deck on a flat and level surface.
- Store products in a cool, shady area prior to installation.
- Do not stack bundles over 8 units high.
- Always leave factory applied protective wrap. If stored outdoors, the product must be covered with non-translucent material.
- Use care when handling product with a forklift as forks can easily damage the material.
- If banding is used, use protective corners to prevent indents from the bands.
- Avoid storing AZEK Deck in areas of excessive heat.



Excessive Construction Debris

It is important during construction, the deck's surface stay clear from excessive build-up of dirt, sand, and dust from tile, concrete, landscape blocks, or any other masonry products. If these materials are not removed immediately, the deck surface will become difficult to clean and can potentially damage the deck's surface finish.

Do not use AZEK Deck as a work surface.

If a build-up does occur please refer to the Care and Cleaning section in AZEK's installation guide or website, AZEK.com.

Considerations

- Depending on environmental conditions, AZEK Deck colors may appear to lighten over time as part of the natural weathering process.
- Please be aware that excessive heat build on the surface of AZEK products from external sources such as, but not limited to, fire or reflection of sunlight can potentially lead to damage. For example, sunlight which may be reflected by low-emissivity (Low-E) glass can potentially lead to damage of exterior building products, including AZEK Deck, Porch, & Rim Joist Covers, Riser, Trim, Moulding or Railing products, due to elevation of surface temperatures which far exceed that of normal exposure of the same materials to direct sunlight. Possible damage by such reflected concentrated light may include melting, sagging, warping, distortion, surface discoloration, increased expansion or contraction, and unusual weathering.
- Static build-up is a natural occurring phenomenon that can occur with many plastic products including PVC Decking. It could occur with AZEK products under the right environmental conditions
- Although AZEK Deck products are cooler to the touch than many other deckboard products in similar colors, all decking products will get hot in the sun. Additionally, the darker the decking color, the hotter it will feel.
- Always remove jobsite dust, clay, dirt, mud, and other construction products from AZEK Deck quickly. Do not allow construction dirt and debris to sit on the AZEK Deck surface.
- **IMPORTANT:** Do not allow airborne dust from concrete, landscape blocks, or any masonry product to accumulate on the AZEK Deck surface as it may damage the surface of the deck. Do not cut any product on or near AZEK Deck.

Care & Maintenance

To keep your AZEK Deck as cladding looking its best:

- To remove rust stains, use a household cleaner such as Krud Kutter “the must for rust”.
 - Some products, such as sunblock and insect repellent, contain chemicals that may alter the surface of AZEK Deck and Trim. Check product labels and consult with the manufacturer as to product compatibility with plastic materials, such as AZEK Deck and Trim, prior to use on or near AZEK Deck and Trim products.
 - Do not get any PVC glue or similar product on the surface of any AZEK Decking and Trim Product as it may discolor and permanently damage the surface.
 - To clean AZEK Deck, use an all-surface deck cleaner or another all-purpose cleaner such as Chomp[®] Gutter cleaner, Zep[®] 505, Simple[®] Green or Krud Kutter[®] Cleaner/Degreaser with a stiff natural fiber brush.
 - Always read the cleaning product manufacturers specific information before using any product on your AZEK Deck and follow their instructions. It is also a good idea to test the cleaner on a scrap piece or inconspicuous area of the deck to make sure it does not harm the surface.
 - **WARNING:** Keep children and pets away from cleaning products and AZEK Deck until dry.
- * Note that composite deck cleaners such as Corte Clean[®], Thompson’s[®] Water Seal[®] Oxy Action, Olympic[®] Premium Deck Cleaner, or other cleaners specified as composite deck cleaners, in powder or liquid form, **SHOULD NOT** be used with AZEK Deck and Trim. AZEK Deck is a PVC/polymer deck plank and not a wood/plastic composite.
 - Store products under cover to maintain a clean surface.
 - If stored outdoors, they must be covered with a non-translucent material.

(These guidelines may not cover every care and maintenance scenario encountered. For additional questions about care and maintenance, call (877) ASK-AZEK).

Warranty

AZEK Building Products are made exclusively from technologically advanced materials designed to provide years of enjoyment. AZEK Deck products are covered by a Limited Lifetime Warranty for residential applications. The warranty covers defects resulting in blistering, peeling, flaking, cracking, splitting, cupping, rotting or structural defects from termites or fungal decay. AZEK Deck products are also covered by a 30 year limited residential fade and stain warranty. Visit AZEK.com/warranty to view complete warranty information.

AZEK Building Products
5215 Old Orchard Road, Suite 725
Skokie, Illinois 60077

AZEK.com • (877) ASK-AZEK (877) 275-2935