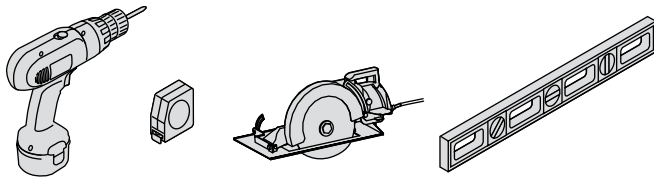


TREX TRANSCEND® Open-Joint Cladding Installation Instructions



TOOLS NEEDED



NOTES:

- » Only Trex Transcend square edge profiles are approved for use in cladding applications.
- » Consult local building code officials regarding applicable requirements of cladding applications, including that of proper methods of attachment of cladding framing supports.
- » Always install wood or steel furring strips over a flat substrate or a suitable cladding substructure.
- » Ensure that proper gapping requirements are followed as listed within instructions.
- » Open-joint facades are permitted when following Trex Cladding install instructions.

TREX-APPROVED PRODUCT FOR CLADDING APPLICATIONS:

PROFILE	DESCRIPTION	ITEM NUMBER	COLORS
Trex Transcend 1" Square-Edge Board <i>Actual dimensions:</i> Transcend: 94 in x 5.5 in x 12 ft / 16 ft / 20 ft (24 mm x 140 mm x 365 cm / 487 cm / 609 cm)	1 x 6 x 12'	Transcend Tropicals	IM, TT, HG, SR, LR
	1 x 6 x 16'	Transcend Tropicals	
	1 x 6 x 20'	Transcend Tropicals	
	1 x 6 x 12'	Transcend Earth Tones	GP, RS, TH, VL, FP
	1 x 6 x 16'	Transcend Earth Tones	
	1 x 6 x 20'	Transcend Earth Tones	

Approved Fasteners:

NOTE: The fasteners listed below are all approved fasteners for attachment of Trex Cladding to furring strips. Consult local building code official for proper fasteners to use when attaching furring strips to structural wall. For salt water applications, it is recommended to use wood furring strips with appropriate stainless steel screws.

If any condition occurs which is attributable to the use of non-recommended fasteners, such condition shall not be covered under the Trex Limited Warranty.

Cladding Attachment to Wood Furring Strips:

- » Starborn® Cap-Tor® xd Epoxy Coated & Headcote® 305 Stainless 2" **ONLY**.
- » Starborn Deckfast® Fascia System -Epoxy Coated & Headcote® 305 Stainless.
- » Starborn® Pro Plug® System for PVC and Composite (Epoxy Coated & 305 or 316 Stainless) 2" **ONLY**.

Cladding Attachment to Steel Furring Strips:

- » Starborn® Pro Plug® System for PVC and Composite for Metal Framing (410SS, self-drilling).
- » Starborn Deckfast® Metal 410SS with Epoxy Coating.

Gapping and Overhang:

You must gap Trex cladding both end-to-end and width-to-width. Gapping is necessary for airflow and the slight thermal expansion and contraction of Trex cladding boards.

- » **ALWAYS** follow Trex recommended gapping guidelines.
- » Maximum allowable perpendicular overhang for all Trex decking is 3/4".

WIDTH-TO-WIDTH GAP

3/16" Min.

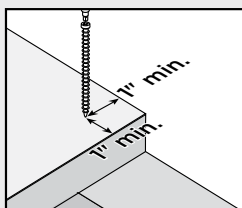
END-TO-END/END-TO-WIDTH AND ABUTTING GAP

	End-to-End/ End-to-Width	Abutting Solid Objects
Above 40°F* (4.5°C)*	1/8"	1/4"
Below 40°F* (4.5°C)*	3/16"	1/2"

*Temperature at installation

Pro Plug®, DeckFast®, Cap-Tor® xd and HeadCote® are registered trademarks of Starborn Industries Inc.

FASTENING TIPS



Install fasteners at a 90° angle (perpendicular to the board).

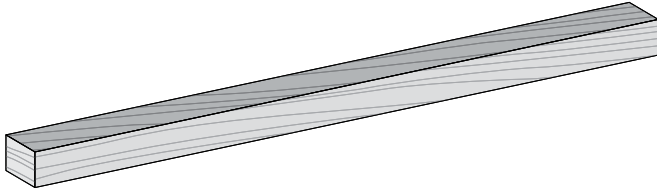
Install screws at minimum of 1" (25 mm) from the board end and edge, without splitting the board.

TREX TRANSCEND® Open-Joint Cladding

Installation Instructions

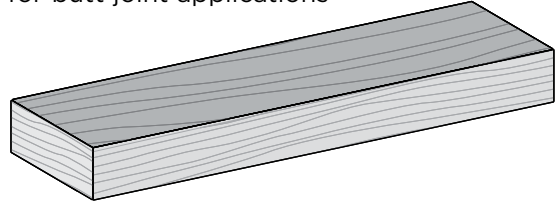
WOOD FURRING STRIPS (Pressure-Treated Wood)

Minimum 1-1/2" x 1-1/2"



1-1/2" x 3-1/2"

Used for butt joint applications



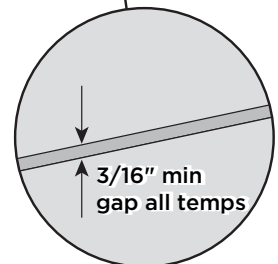
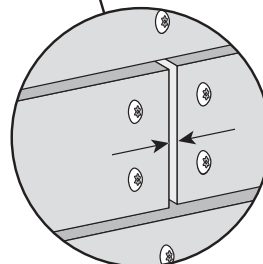
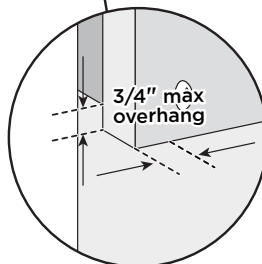
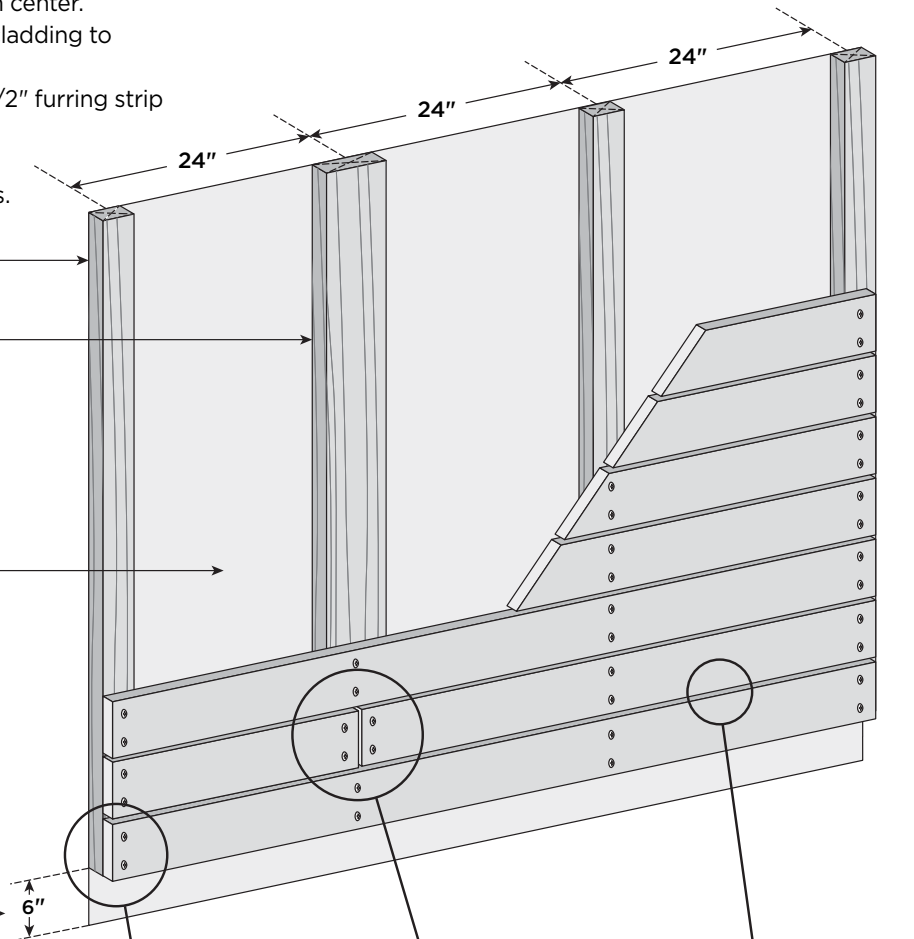
- » Install furring strips at a maximum of 24" on center.
- » Use two approved fasteners for attaching cladding to furring strips.
- » Where cladding boards abutt, a 1-1/2" x 3-1/2" furring strip must be used.
- » Always ensure cladding boards are level or plumb for horizontal or vertical applications.

1-1/2" x 1-1/2"
furring strip

1-1/2" x 3-1/2"
furring strip

Install code-approved
water-resistant barrier
as required, before
installing furring strips

Maintain a minimum of
6" of clearance off grade

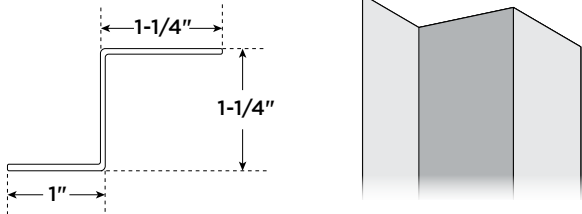


See Page 1 for
Gapping Requirements

METAL FURRING STRIPS (Not Sold by TREX)

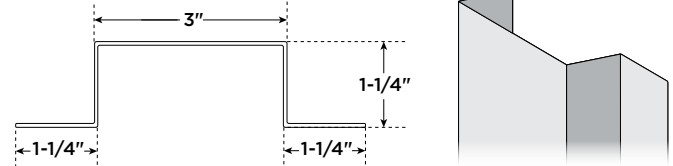
NOTE: 18 ga. (min) 33 ksi at sizes shown below.

Z Furring Strip

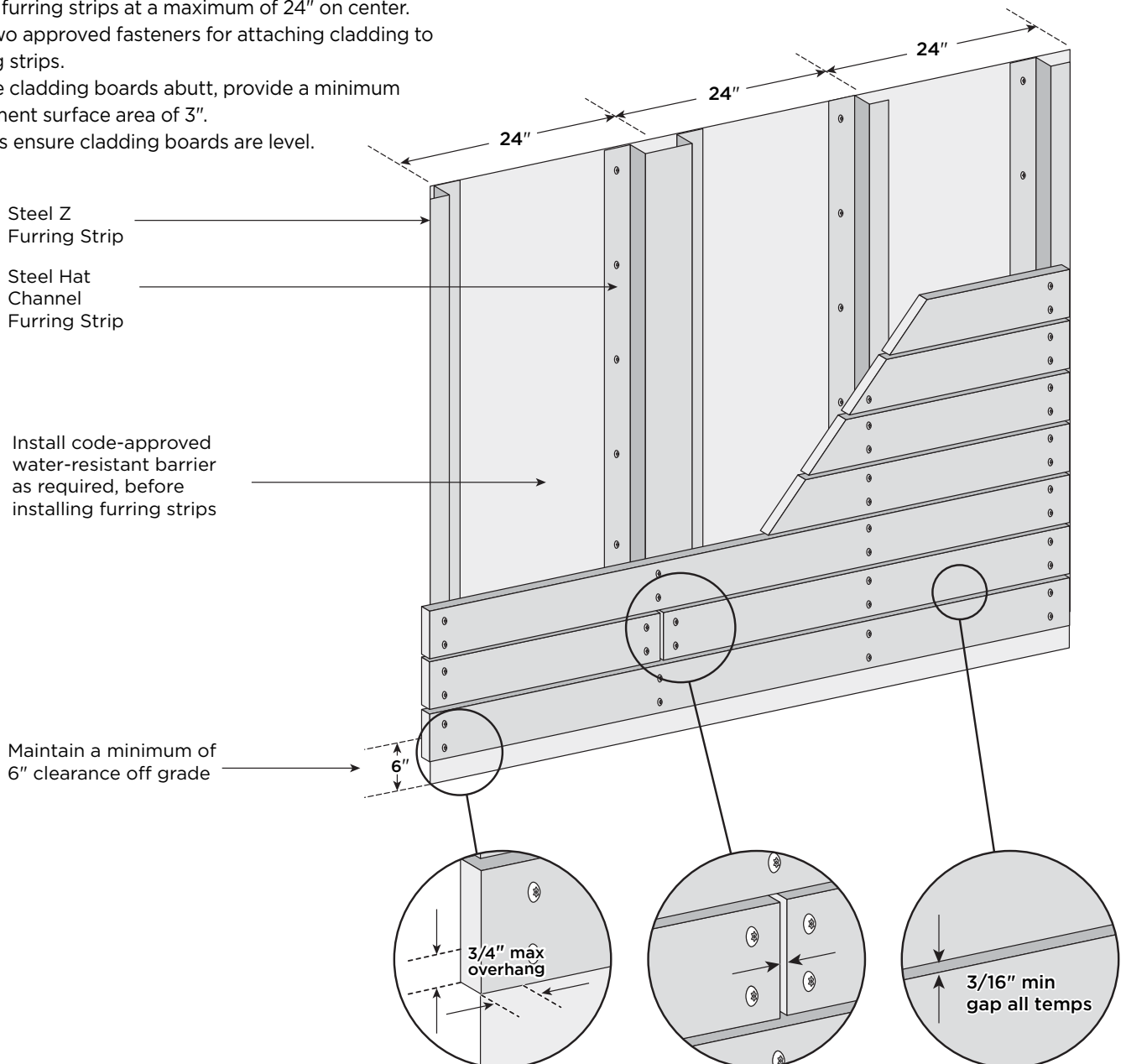


Hat Channel Furring Strip

Used for butt joint applications



- » Install furring strips at a maximum of 24" on center.
- » Use two approved fasteners for attaching cladding to furring strips.
- » Where cladding boards abutt, provide a minimum attachment surface area of 3".
- » Always ensure cladding boards are level.

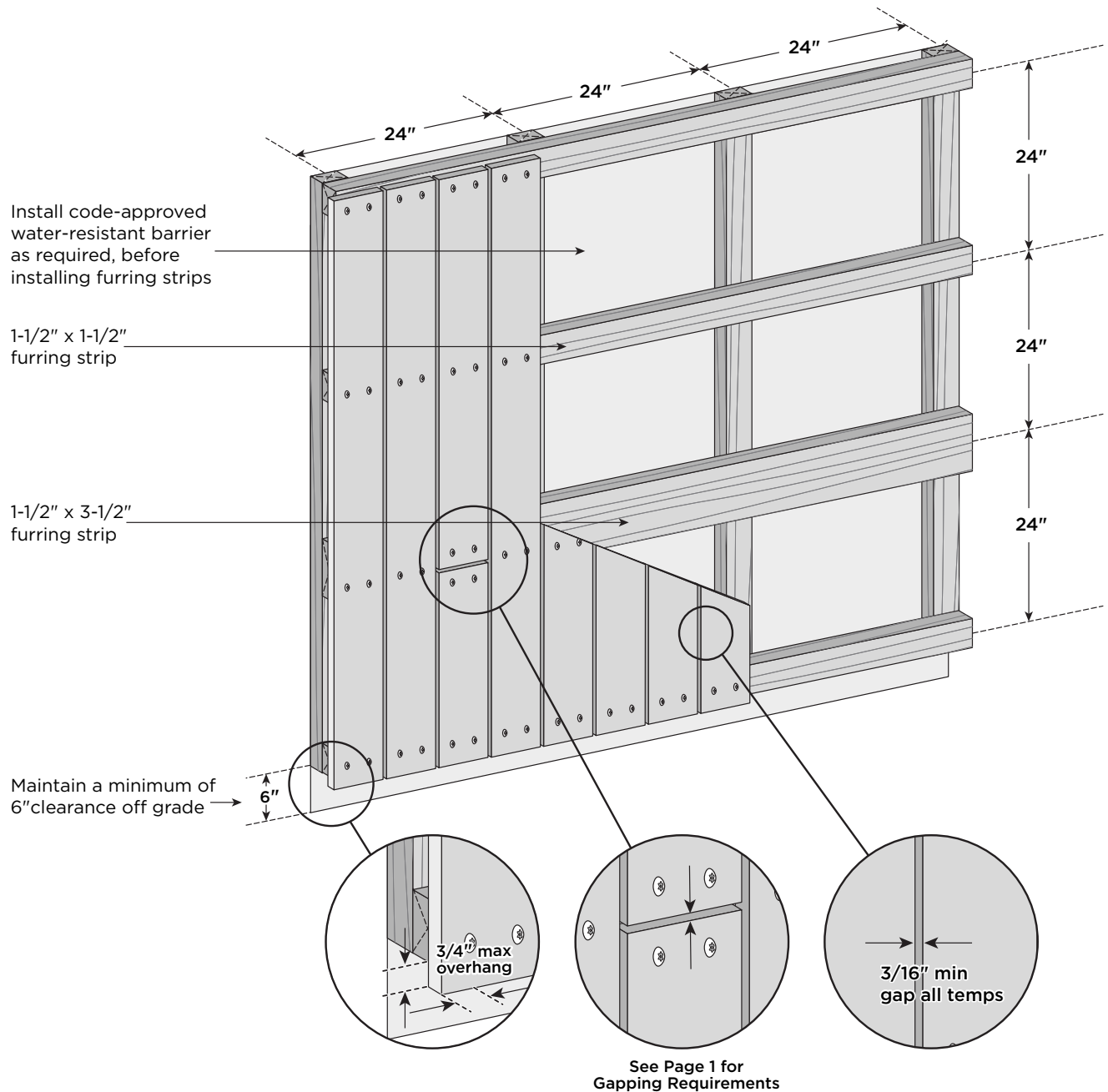


TREX TRANSCEND® Open-Joint Cladding

Installation Instructions

VERTICAL ORIENTATION OF CLADDING

(Wood furring strips represented below.)



- » Install furring strips at a maximum of 24" on center.
- » Use two approved fasteners for attaching cladding to furring strips.
- » Where cladding boards abutt, a 1-1/2" x 3-1/2" furring strip must be used.
- » Always ensure cladding boards are plumb.